

Lighting

Electrics

Electronics

Thermal
Management

Sales
Support

Technical
Service

**Our Ideas,
Your Success.**

Installation story

IBScontrol

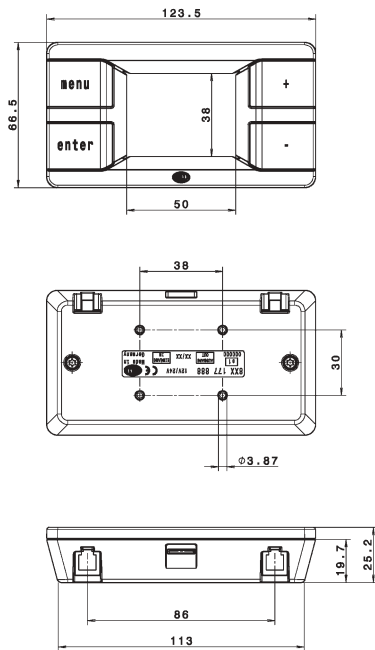


**Ideas today for
the cars of tomorrow**

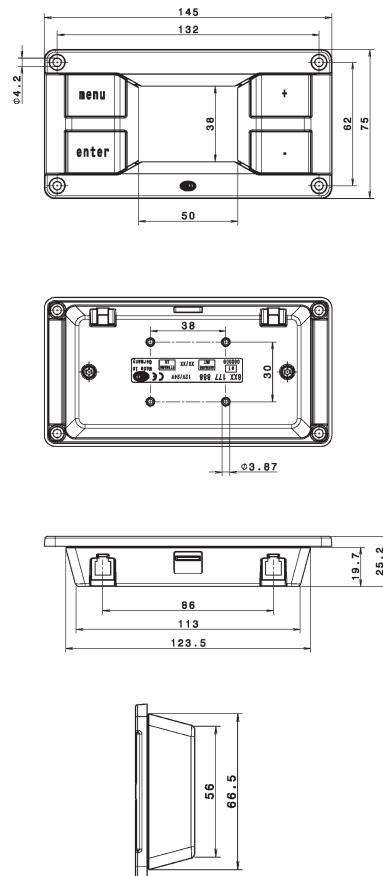
IBScontrol: Product overview

Product photo	Part number	Specification	Scopes of supply
	6PY 178 103-811	IBScontrol set with display for flush-mounted version (illustrated)	<ul style="list-style-type: none"> ■ IBScontrol display (high-sheen, black) ■ IBS battery sensor ■ Battery pole adapter ■ Completely prefabricated wire harness ■ Operating/mounting instructions (CD ROM) ■ Mounting assembly (screw, cable tie, mounting plates depending on variant)
	6PY 178 103-831	IBScontrol set with display in flush-mounted version (not illustrated)	
	6PY 178 103-841	Extension kit to monitor second battery	<ul style="list-style-type: none"> ■ IBS battery sensor ■ Battery pole adapter ■ Completely prefabricated wire harness

Surface-mounted version



Flush-mounted version

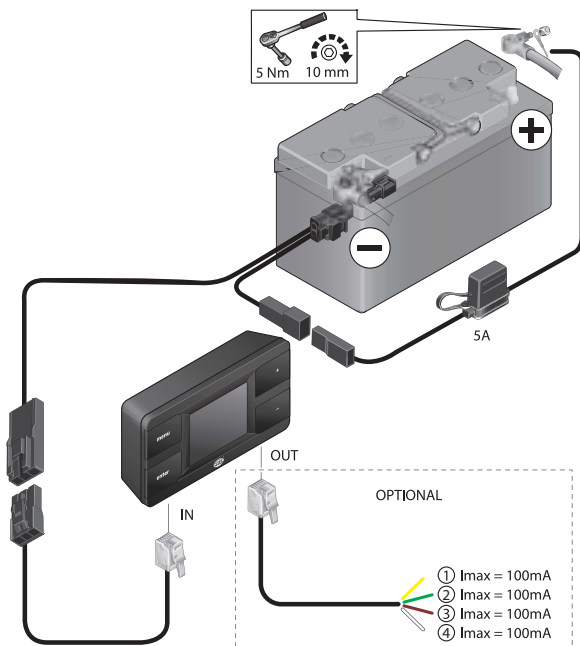


Dimensions	Surface-mounted version	Flush-mounted version
Length	123.5 mm	145 mm
Height	66.5 mm	75 mm
Installation height	25.2 mm	5.5 mm
Installation depth	-	19.7 mm

Schematic diagram of IBScontrol connection

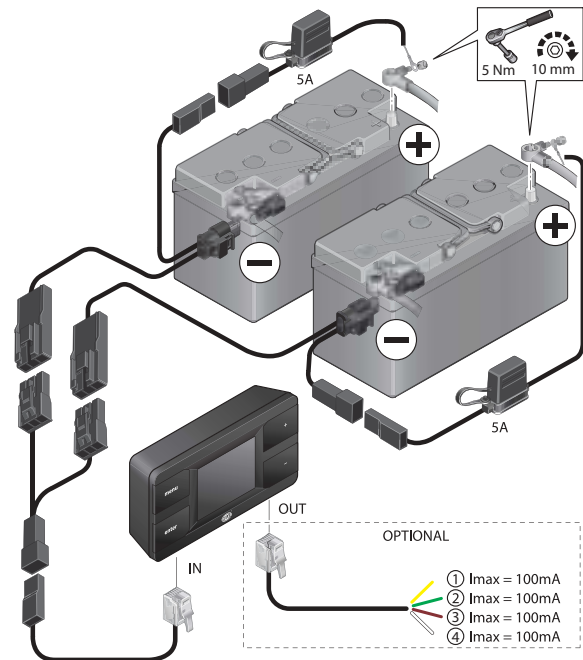
Connection to one battery

You need the IBScontrol kit surface-mounted or flush-mounted version for connection



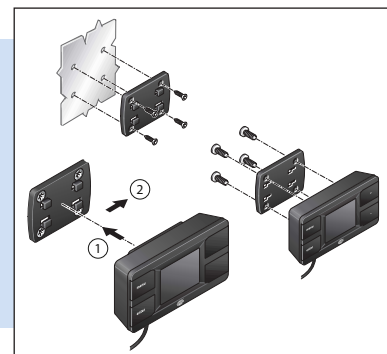
Connection to two batteries

You require the extension kit 6PY 178 103-841 in addition for connection



Installing the display:

First, the carrier frame for the display is mounted in the required installation position in the motor home using the 4 screws provided. Then the display can simply be clicked into the carrier frame.



Fitting the connection cable:

1) For both service batteries to be monitored, the sensors are prepared with the prefabricated cables included for connection according to the diagram.



2) For connection on the vehicle side, the existing ground cable is fitted to the standard bolt of the Intelligent Battery Sensor without separation, with the aid of the battery pole adapter.



3) The insulated and heat-resistant connection cable is routed through the storage compartment flaps.



4) Finally, the cable for connection of the display is routed to the interior.



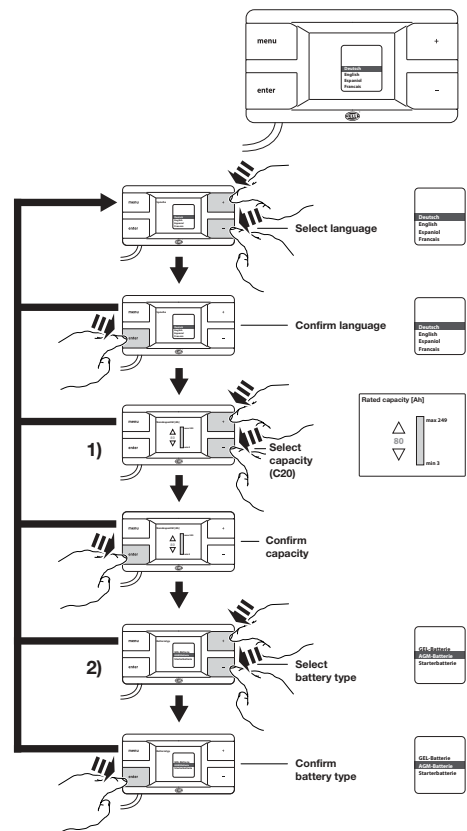
5) As soon as the connection cable has reached the interior, the display cable can simply be inserted directly into the IBScontrol display. The IBScontrol is ready for initial operation.



Initial operation:

During initial operation, language, battery type and rated capacity are set before the actual service menu is accessed. User guidance is intuitive and entries can be made quickly:

- 1) Language selection
 - 2) Entry of rated capacity (C20)
 - 3) Selection of battery type
 - 4) Initial calibration starts automatically
- After initial operation, the IBS has to collect measuring data first in order to be able to make a statement about the exact state of charge of the battery after approx. 3 h. During this period, the IBS determines the battery's quiescent current. For this, the charging/discharging current must be < 250 mA in this phase. The display of charging/discharging current is already working, as is the current display.
 - During installation of an Intelligent Battery Sensor (IBS), the "enter button" is used to confirm entries.
- Important: When two IBScontrol are installed with different battery capacities, the "enter button" is used to change between the menu displays of the two sensors. If the same capacity is entered for sensor one and sensor two during setup, this is shown on the screen. The IBScontrol assumes that these two batteries are switched in parallel. The current from battery one and battery two are added accordingly for a parallel circuit.**
- The default setting of the IBScontrol is that the screen is set to maximum brightness and switches off automatically after one hour.
 - The intelligent battery management system is always in standby mode. If this should be deactivated in the menu setting, the display does not go off.
- For more answers and tips visit www.hella.com/caravan



Schematic representation of the settings with intuitive menu guidance (extract)

Tip
Practical: The display automatically recognises that there are two sensors connected and is adapted accordingly.

Current display
Red = Discharging
Green = Charging

